



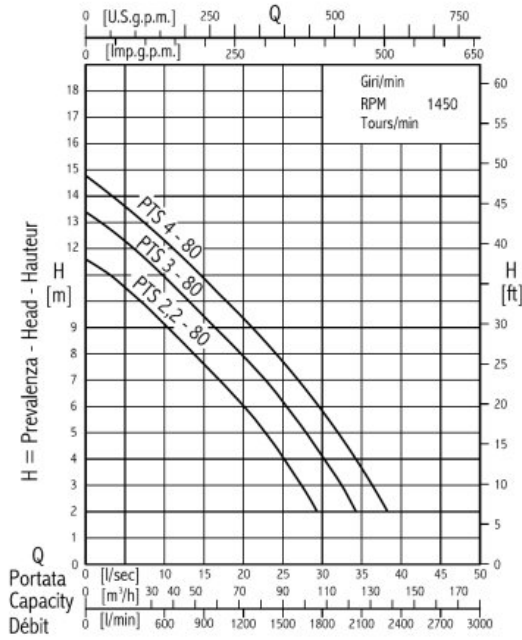
Pompe Trituratrici Sommergibili
Chopper Submersible Pumps
Pompes Dilacératrices Submersibles

"PTS 80-100-150"

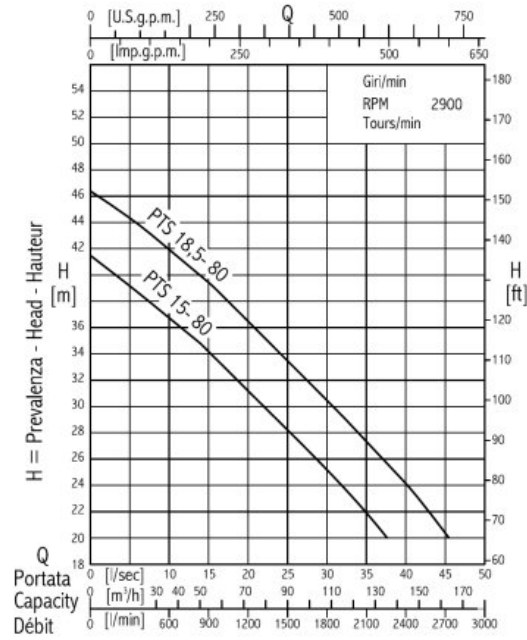
5

DIAGRAMMI - PERFORMANCES RANGES - COURBES CARACTERISTIQUES

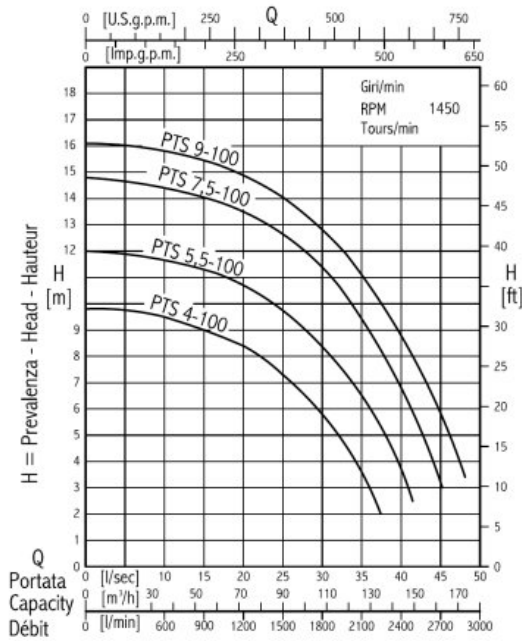
"PTS.. 80 / PTS.. 80N"



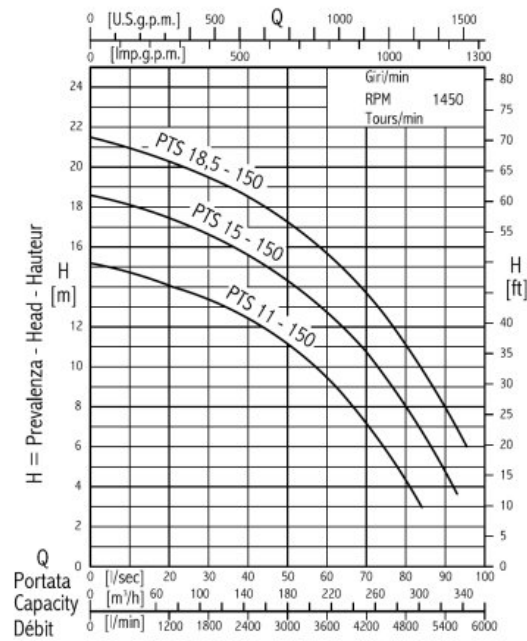
"PTS.. 80 / PTS.. 80N"



"PTS.. 100"



"PTS.. 150"



Curve per liquidi aventi densità 1 - viscosità 1 mm²/s - alla temperatura di 20° C.
Curves established for liquid density 1 - viscosity 1 mm²/s - temperature 20° C.
Courbes établies pour liquides densité 1 - viscosité 1 mm²/s - température 20° C.

N 2015

CARATTERISTICHE STANDARD

Motori elettrici asincroni trifase con rotore a gabbia di scoiattolo.
N°2 sonde termiche inserite nell'avvolgimento statorico.
Grado di protezione "IP 68".
Isolamento classe "F".
Max profondità immersione 20 m.
Max contenuto sostanze solide in sospensione 12%.
Cavo sommergibile in neoprene H07-RN-F.
pH liquido 5 ÷ 12.
Max temperatura del liquido pompato 40°C.

STANDARD FEATURES

Asynchronous three phase electric motors with squirrel cage rotor.
N.2 thermic probes installed in the stator winding.
Protection "IP 68".
"F" class insulation.
Max submergence depth: 20 m.
Max solid content in the liquid: 12%.
Submersible H07-RN-F neoprene cable.
Fluid pH 5 - 12.

CARACTERISTIQUES STANDARD

Moteurs électriques asynchrones triphasés, rotor à cage d'écurieil.
N°2 sondes thermiques incorporées dans l'enroulement du stator.
Degré de protection "IP 68".
Isolement classe "F".
Max profondeur d'immersion 20 m.
Max contenu de substances solides en suspension 12%.
Max pH du liquide 5 ÷ 12.
Cable submersible en néoprène H07-RN-F.
Max température du liquide pompe 40°C.



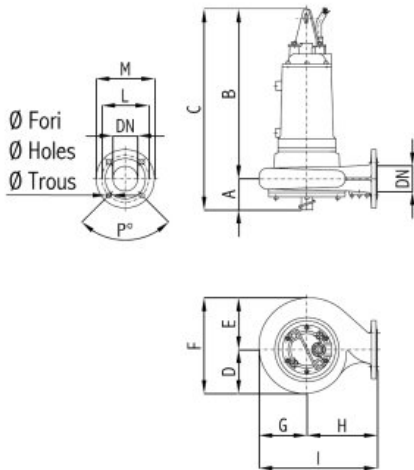
Pompe Trituratrici Sommersibili
Chopper Submersible Pumps
Pompes Dilacératrices Submersibles

"PTS 80-100-150 "

6

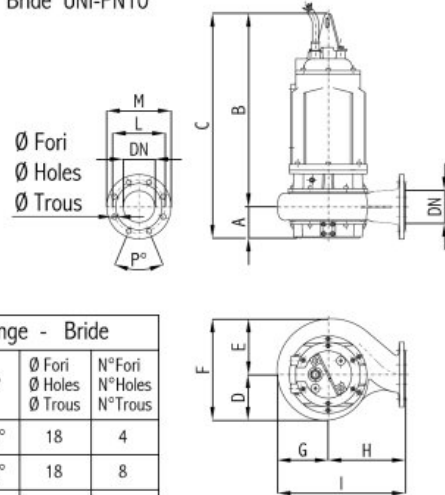
| Elettropompa tipo Electric pump type Electropompe type | Potenza motore Motor rating Puissance moteur | Avvolgimenti Windings Bobinages | Assorbimento Absorption Intensité | Giri/min RPM T/min | CAVO ALIMENTAZIONE - FEEDING CABLE - CABLE D'ALIMENTATION | | | AVVIAMENTO | |
|--|--|---------------------------------------|---|--------------------------|---|--|--|-----------------------------|-----|
| | | | | | N° cavi N° cables N° cables | N° conduttori cavo x sezione N° of wires x size N° conducteurs câble à section | Lunghezza cavo Cable length Longueur câble | Diretto Direct Direct | ↘-△ |
| | | | | | n | [mm ²] | [m] | | |
| PTS 2,2 - 80/80N | 2,2 | 230-400 | 5,3 | 1420 | 1 | 9 x 1,5 | 10 | ↘ | |
| PTS 3 - 80/80N | 3 | | 6,8 | 1420 | | | | ↘ | |
| PTS 4 -80/80N/100 | 4 | 400-690 | 9,1 | 1405 | | 9 x 4 | | △ | ↘-△ |
| PTS 15 - 80/80N | 15 | | 31,2 | 2920 | | | | △ | ↘-△ |
| PTS 18,5 - 80/80N | 18,5 | | 36,5 | 2930 | | △ | | ↘-△ | |
| PTS 5,5 - 100 | 5,5 | | 12,5 | 1430 | | 9 x 2,5 | | △ | ↘-△ |
| PTS 7,5 - 100 | 7,5 | | 15,8 | 1440 | | | | △ | ↘-△ |
| PTS 9 - 100 | 9 | | 19 | 1440 | | △ | | ↘-△ | |
| PTS 11 - 150 | 11 | | 23,5 | 1450 | | 9 x 4 | | △ | ↘-△ |
| PTS 15 - 150 | 15 | | 30 | 1450 | | | | △ | ↘-△ |
| PTS 18,5 - 150 | 18,5 | 36 | 1450 | △ | ↘-△ | | | | |

Flangia UNI-PN10
Flange UNI-PN10
Bride UNI-PN10



PTS 2,2 - 80
PTS 3 - 80
PTS 4 - 80
PTS 15 - 80
PTS 18,5 - 80

Flangia UNI-PN10
Flange UNI-PN10
Bride UNI-PN10



PTS 2,2 - 80N
PTS 3 - 80N
PTS 4 - 80N
PTS 15 - 80N
PTS 18,5 - 80N
PTS 4 - 100
PTS 5,5 - 100
PTS 7,5 - 100
PTS 9 - 100
PTS 11 - 150
PTS 15 - 150
PTS 18,5 - 150

| Flangia - Flange - Bride | | | | | | |
|--------------------------|-----|-----|-----|------------------------------|---------------------------------|--|
| DN | L | M | P° | Ø Fori Ø Holes Ø Trous | N° Fori N° Holes N° Trous | |
| 80 | 160 | 200 | 90° | 18 | 4 | |
| 100 | 180 | 220 | 45° | 18 | 8 | |
| 150 | 240 | 285 | 45° | 22 | 8 | |

| Elettropompa tipo Electric pump type Electropompe type | DIMENSIONI INGOMBRO [mm] - OVERALL DIMENSIONS [mm] - DIMENSIONS [mm] | | | | | | | | | | Peso Weight Poids [kg] |
|--|--|-----|-------|-----|-----|-----|-----|-----|-----|-----|---------------------------------|
| | DN | A | B | C | D | E | F | G | H | I | |
| PTS 2,2 - 80 | 80 | 107 | 579 | 686 | 150 | 177 | 327 | 163 | 240 | 403 | 74 |
| PTS 3 - 80 | | | | | | | | | | | 77 |
| PTS 4 - 80 | | | 78 | | | | | | | | |
| PTS 15 - 80 | | | 168,5 | | | | | | | | |
| PTS 18,5 - 80 | | | 183 | | | | | | | | |
| PTS 2,2 - 80N | | | 75 | | | | | | | | |
| PTS 3 - 80N | | | 78 | | | | | | | | |
| PTS 4 - 80N | | | 79 | | | | | | | | |
| PTS 15 - 80N | | | 169,5 | | | | | | | | |
| PTS 18,5 - 80N | | | 184 | | | | | | | | |
| PTS 4 - 100 | | | 570 | 677 | | | | | | | 88 |
| PTS 5,5 - 100 | | | | | | | | | | | 122 |

| | | | | | | | | | | | | |
|--------------|----------------|-----|-----|-----|-----|-----|-----|-----|-----|-----|-----|-----|
| CRI-MAN 2015 | PTS 5,5 - 100 | 100 | 108 | 659 | 767 | 155 | 190 | 345 | 173 | 263 | 436 | 122 |
| | PTS 7,5 - 100 | | | | | | | | | | | 128 |
| | PTS 9 - 100 | | | | | | | | | | | 133 |
| | PTS 11 - 150 | 150 | 150 | 805 | 955 | 197 | 257 | 454 | 226 | 342 | 568 | 213 |
| | PTS 15 - 150 | | | | | | | | | | | 226 |
| | PTS 18,5 - 150 | | | | | | | | | | | 229 |